

5FG70 5FD70, 60-5FD80

MAIN VEHICLE SPECIFICATIONS

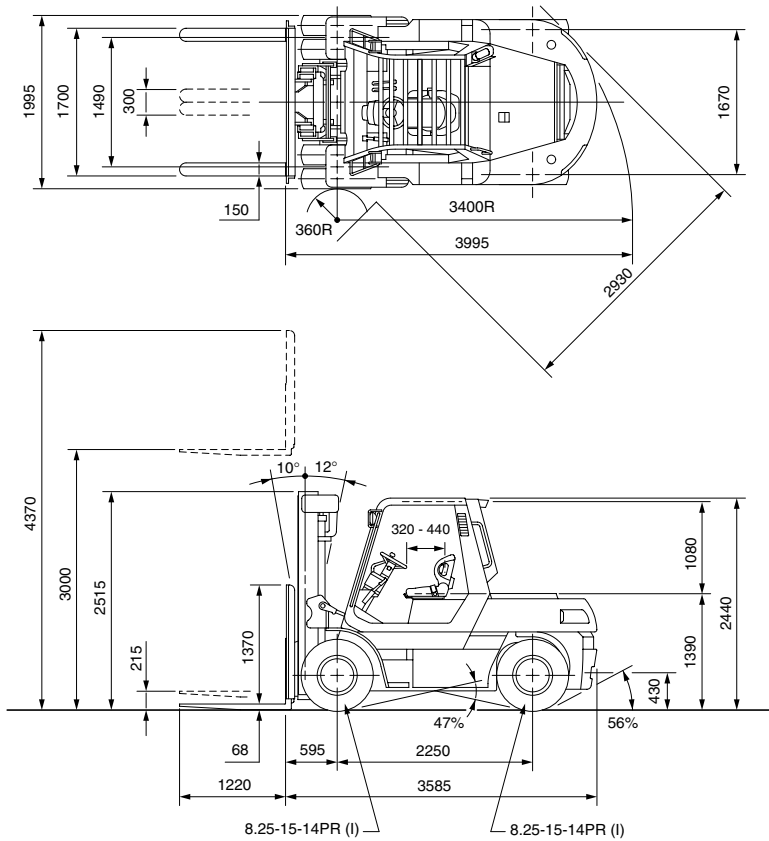
1	Manufacturer				TOYOTA	TOYOTA	TOYOTA
2	Model				5FG70	5FD70	60-5FD80
3	Load Capacity			kg	7000	7000	8000
4	Load Center			mm	600	600	600
5	Power Type				Gasoline	Diesel	Diesel
6	Operator Position				Rider Seated	Rider Seated	Rider Seated
7	Tire Type			Front/Rear	Pneumatic	Pneumatic	Pneumatic
8	Wheels (x = driven)			Front/Rear	4x/2	4x/2	4x/2
9	Maximum Fork Height (MFH)			mm	3000	3000	3000
10	Free Lift			mm	215	215	210
13	Fork Size			T x W x L	mm	68x150x1220	68x150x1220
	Fork Spread (Outside)			MAX./MIN.	mm	1700/300	1700/300
14	Tilt Range			FWD/BWD	deg	10/12	10/12
15	Length to Fork Face				mm	3585	3930
16	Overall Width				mm	1995	2160
17	Mast Lowered Height				mm	2515	2880
18	Mast Extended Height				mm	4370	4340
19	Overhead Guard Height				mm	2440	2615
21	Turning Radius (Outside)				mm	3400	3700
22	Load Distance (Centerline of front axle to front face of forks)				mm	595	680
23	Basic Right Angle Stacking Aisle Width (Add load length and clearance)				mm	3995	4380
24	Travel, Max. (FWD/RVS)	Full Load	km/h	23/23	28/28	31/31	
			No Load	km/h	25/25	30/30	34/34
25	Lifting	Full Load	mm/sec	420	480	400	
			No Load	mm/sec	470	530	430
26	Lowering	Full Load	mm/sec	400	400	400	
			No Load	mm/sec	500	500	500
28	Max. Drawbar Pull	Full Load	kN (kg)	54 (5500)	59 (6000)	59 (6000)	
			No Load	kN (kg)	25.5 (2600)	25.5 (2600)	28.4 (2900)
29	Gradeability at 1.5 km/h (1 mph) *		Full Load	% (tanθ)	19	21	
30	Max. Gradeability *		Full Load	% (tanθ)	35	35	
			No Load	% (tanθ)	21	21	
32	Total Weight			kg	9330	9440	11160
33	Weight Distribution	Full Load	Front	kg	14590	14680	17190
			Rear	kg	1740	1760	1970
34		No Load	Front	kg	3870	3960	5090
			Rear	kg	5460	5480	6070
35	Number			Front/Rear	4/2	4/2	
36	Tires	Front			8.25-15-14PR (I)	8.25-15-14PR (I)	9.00-20-14PR (I)
37		Rear			8.25-15-14PR (I)	8.25-15-14PR (I)	9.00-20-14PR (I)
38	Wheelbase			mm	2250	2250	2500
39	Tread			mm	1490	1490	1585
				mm	1670	1670	1750
	Counterweight Height			mm	1390	1390	1565
40	Underclearance			mm	180	180	215
41	(Full Load) Center of Wheelbase			mm	210	210	350
42	Service (Foot)				Hydraulic	Hydraulic	Hydraulic
43	Parking				Hand	Hand	Hand
45	Battery Voltage/Capacity (5HR)			V/AH	12/48	12/128	12/128
49	Make/Model				TOYOTA 1FZ-E	TOYOTA 14Z-II	TOYOTA 14Z-II
50	Rated Horsepower/r.p.m.			kW (JIS ps)	63/2350 (86/2350)	72/2400 (98/2400)	72/2400 (98/2400)
51	Rated Torque/r.p.m.			N-m (JIS kg-m)	294/1200 (30/1200)	340/1400 (34.7/1400)	340/1400 (34.7/1400)
52	Number of Cylinder				6	6	6
	Piston Displacement			cc	4476	5204	5204
	Fuel Tank Capacity			liter (UK gal)	140 (31)	140 (31)	140 (31)
55	Transmission Type				Powershift	Powershift	Powershift
	Stage			FWD/RVS	1/1	1/1	1/1
57	Operating Pressure For Attachments			MPa (kg/cm ²)	19.6 (200)	19.6 (200)	18.1 (185)

NOTE: * Computed values.

DIMENSIONAL DRAWINGS

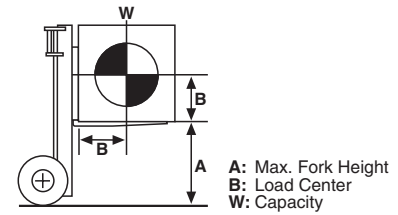
Unit: mm

5FG/5FD70



RATED CAPACITIES

5FG/5FD70



V Mast Unit: kg (W)

A (mm)	5000	5500	6000
600	7000	6700	6500
700	6460	6180	6000
800	6000	5740	5570
900	5600	5360	5200
1000	5240	5020	4870
1100	4940	4720	4580
1200	4660	4460	4330
1300	4410	4230	4100
1400	4190	4010	3890
1500	3990	3820	3710

FSV Mast Unit: kg (W)

A (mm)	5000	6000	7000	8000
600	6700	5700	4000	3000
700	6200	5280	3700	2780
800	5780	4910	3450	2590
900	5400	4600	3230	2420
1000	5080	4320	3030	2270
1100	4790	4070	2860	2140
1200	4530	3850	2700	2030
1300	4290	3650	2560	1920
1400	4090	3480	2440	1830
1500	3900	3310	2330	1740

UNDERCLEARANCE

- Mast (Full Load)----- 180
- Drive Axle (Full Load)----- 195
- Steer Axle (No Load) ----- 260
- Center of Wheelbase (Full Load) ----- 210
- Counterweight (No Load)----- 250

SPECIAL TREAD

Model	5FG/5FD70	
Front Tire	Single/Dual	Dual
Front Tire Size	8.25-15-14PR (I)	
Overall Width	mm	1995
Tread, Front	mm	1490

SPECIAL MAST

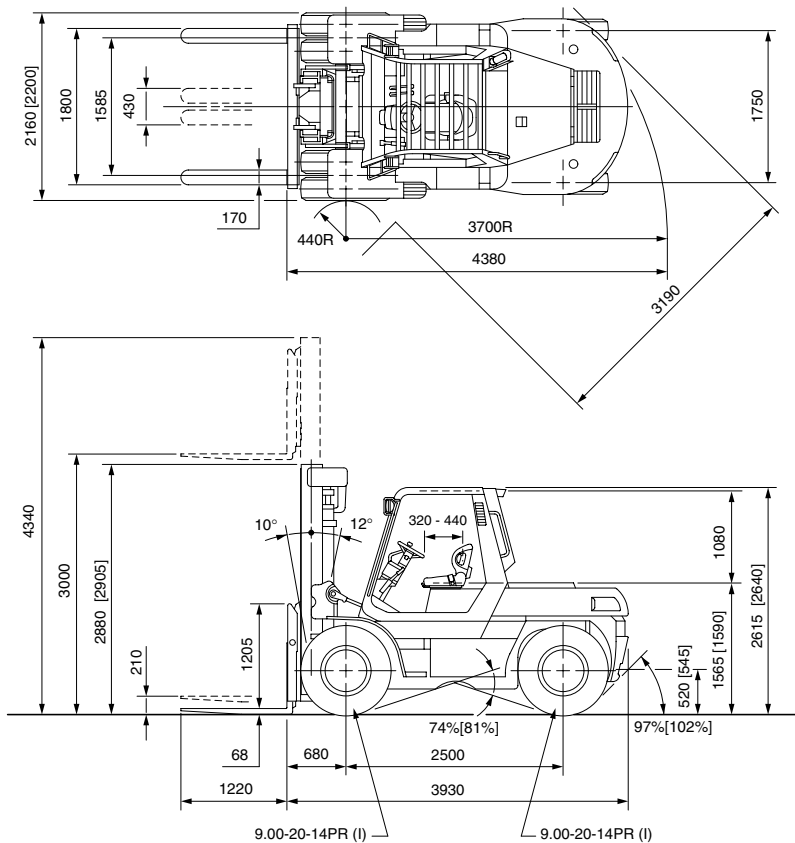
Wide Visible Full-Free Lift Three-Stage Mast (FSV)

Model	5FG70	5FD70			
Type of Mast	FSV				
PERFORMANCE					
Speeds	Lifting	Full Load	mm/sec	410	470
		No Load	mm/sec	460	520
	Lowering	Full Load	mm/sec	400	400
		No Load	mm/sec	450	450
DIMENSIONS					
Load Distance (Centerline of front axle to front face of forks)	mm	650	650		

DIMENSIONAL DRAWINGS

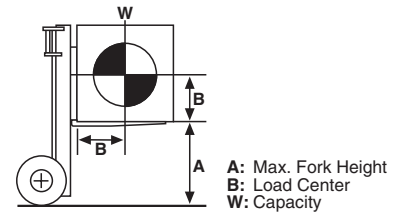
Unit: mm

60-5FD80



RATED CAPACITIES

60-5FD80



V Mast Unit: kg (W)

A (mm)	5000	5500	6000	
600	8000	7700	7500	
700	7420	7140	6960	
800	6920	6660	6490	
900	6480	6240	6080	
B (mm)	1000	6100	5870	5710
1100	5750	5540	5390	
1200	5450	5240	5110	
1300	5170	4980	4850	
1400	4920	4740	4620	
1500	4700	4520	4400	

FSV Mast Unit: kg (W)

A (mm)	5000	6000	7000	8000	
600	7200	6200	4800	3200	
700	6690	5760	4460	2970	
800	6250	5380	4170	2780	
900	5870	5050	3910	2610	
B (mm)	1000	5530	4760	3680	2460
1100	5220	4500	3480	2320	
1200	4950	4260	3300	2200	
1300	4700	4050	3140	2090	
1400	4480	3860	2990	1990	
1500	4280	3690	2850	1900	

UNDERCLEARANCE

- Mast (Full Load) ----- 215
- Drive Axle (Full Load) ----- 270
- Steer Axle (No Load) ----- 325
- Center of Wheelbase (Full Load) ----- 350
- Counterweight (No Load) ----- 370

NOTE: [] with optional tire size; 10.00-20-14PR (I).

SPECIAL TREAD

Model	60-5FD80		
Front Tire	Single/Dual	Dual	Dual
Front Tire Size		9.00-20-14PR (I)	10.00-20-14PR (I)
Overall Width	mm	2160	2200
Tread, Front	mm	1585	1585

SPECIAL MAST

Wide Visible Full-Free Lift Three-Stage Mast (FSV)

Model	60-5FD80			
Type of Mast	FSV			
PERFORMANCE				
Speeds	Lifting	Full Load	mm/sec	360
		No Load	mm/sec	400
	Lowering	Full Load	mm/sec	400
		No Load	mm/sec	400
DIMENSIONS				
Load Distance (Centerline of front axle to front face of forks)	mm	720		

MAST SPECIFICATIONS & RATED CAPACITIES

Wide Visible Mast (V), Wide Visible Full-Free Lift Three-Stage Mast (FSV)

5FG/5FD70

Mast Type	Maximum Fork Height	Overall Height			Free Lift		Dual Tire		Load Capacity at 600 mm LC
		Lowered	Extended		Without Load Backrest	With Standard Load Backrest	Tilt Range		
			Without Load Backrest	With Standard Load Backrest			FWD	BWD	
mm	mm	mm	mm	mm	mm	deg	deg	kg	
V	2000	2015	—	3370	—	215	10	9 [—]	7000
	2500	2265	—	3870	—	215	10	9 [6]	7000
	2700	2365	—	4070	—	215	10	12 [6]	7000
	3000	2515	—	4370	—	215	10	12 [6]	7000
	3300	2665	—	4670	—	215	10	12 [9]	7000
	3500	2765	—	4870	—	215	10	12 [9]	7000
	3700	2865	—	5070	—	215	10	12 [9]	7000
	4000	3165	—	5370	—	215	10	12 [9]	7000
	4500	3415	—	5870	—	215	10	12 [9]	7000
	5000	3865	—	6370	—	215	10	12 [9]	7000
	5500	4115	—	6870	—	215	10	12 [9]	6700
	6000	4365	—	7370	—	215	10	12 [9]	6500
FSV	4000	2515	5020	5370	1560	1145	6	6	6700
	4300	2665	5365	5670	1665	1295	6	6	6700
	4700	2765	5765	6070	1765	1395	6	6	6700
	5000	2865	6065	6370	1865	1495	6	6	6700
	6000	3415	7215	7370	2265	2045	6	6	5700
	7000	3865	8215	8370	2715	2495	6	6	4000
	8000	4115	9215	9370	2965	2745	6	6	3000

NOTE: Height of standard load backrest is 1370 mm.
[] for front windshield with wiper and washer.

60-5FD80

Mast Type	Maximum Fork Height	Overall Height		Free Lift	Tilt Range		Load Capacity at 600 mm LC
		Lowered	Extended		FWD	BWD	
				mm			
V	2000	2380*	3340	210	10	12 [—]	8000
	2500	2630*	3840	210	10	12 [10]	8000
	2700	2730*	4040	210	10	12 [10]	8000
	3000	2880*	4340	210	10	12 [12]	8000
	3300	3030*	4640	210	10	12 [12]	8000
	3500	3130*	4840	210	10	12 [12]	8000
	3700	3230*	5040	210	10	12 [12]	8000
	4000	3380*	5340	210	10	12 [12]	8000
	4500	3630*	5840	210	10	12 [12]	8000
	5000	4080*	6510	210	10	12 [12]	8000
	5500	4330*	7010	210	10	12 [12]	7700
	6000	4580*	7510	210	10	12 [12]	7500
FSV	4000	2880	5380	1585	6	6	7200
	4300	3030	5730	1735	6	6	7200
	4700	3130	6130	1835	6	6	7200
	5000	3230	6430	1935	6	6	7200
	6000	3630	7430	2235	6	6	6200
	7000	4080	8430	2785	6	6	4800
	8000	4330	9430	3035	6	6	3200

NOTE: * with optional tire size; 10.00-20-14PR (I), plus 25 mm.
[] for front windshield with wiper and washer.